

Creating VASStGoodies.com

-

a VA Smalltalk™ Seaside User Experience



Adriaan van Os, Webinar, April 21

About Me

- I..
 - ..am Adriaan van Os
 - a3aan @ xs4all . nl
 - a3aan . st
 - ..am working for Nationaal Spaarfonds
 - ..am working with Smalltalk since 1995
 - VA Smalltalk, VisualWorks, GemStone/S and (a bit of) Squeak

VASTGoodies.com - VASTGoodies.com Tools AvO. 14 - Mozilla Firefox 3.1 Beta 3

File Edit View History Bookmarks Tools Help

http://vastgoodies.com/maps/VASTGoodies.com Tools/AvO. 14

VASTGoodies.com

(Beta version)

Your VA Smalltalk OSS repository. Powered by **VASmalltalk** with **SERVIDE**.

Configuration Maps | Applications | Projects | Developers | Search | Statistics | RSS | Disclaimer | About | Help

Configuration Map Names	Versions Download	Applications Browse
Cloudfork Cloudfork Activeltem Compuware SplitterWidget jQuery/JQueryUI jQuery/JQueryUI Tests Mastering ENVY/Developer Refactoring Browser Ex MethodWrappers MethodWrappersBase MSKFreeImageWrapper MSKGeneralDatabase MSKLogging MSKLua MSKLuaWithTests MSKOpenGLSupport MSKPlatformExtension MSKPostgreSQL MSKPostgreSQLWithTests MSKSQLite MSKSQLiteWithTests MSKSystemExtension Philemon Event Support Philemon TaggedData Philemon Tools Refactoring Browser Refactoring Browser Model RefactoryTesting Seaside GoogleChart SpsPdfLib SpsPdfLib Development VASTGoodies.com Tools	AvO. 14 emm.13 AvO. 11 AvO. 10 AvO. 9 AvO. 8 AvO. 7 emm.6 emm.5	EnvySeasideBaseApp AvO.10 EnvySeasideClientViewApp AvO.17
	Config. Expressions	Required Maps Jump
	Notes	
	Tools to facilitate the contribution of open-source VA Smalltalk projects to VASTGoodies.com (c) ernest micklei @ philemonworks com, 2009. MIT License. AvO.14 - fix for import at client with emsv - changed label for user in annotation editor	
	Comment	

The form upload is no longer available. Please use the [VASTGoodies.com Tools](#) to submit your contributions.

© 2009 Adriaan van Os

Done



Why VASStGoodies.com?

- Two goals
- Two problems
 - One technical
 - One non-technical



The Two Goals

- Facilitate VA Smalltalk OSS
- Help building a more active and more visible VA Smalltalk community



The Technical Problem

- None of the public open source code management systems support our native format (well)
- Code is scattered around
- Dead URLs
- Hard to share fixes and updates



The Non-technical Problem

- The VA Smalltalk community (vendor and customers) is relatively silent and invisible



One Solution

- VAStGoodies.com tries to solve both problems and to help realize both goals by offering..
 - ..a native format source code repository
 - ..a repository that is indexable by search engines
 - ..a web site that interconnects other web sites



The Pitfall

- VAStGoodies.com is NOT a hideout, it is a hangout
- Make your projects more visible
 - Blog / Planet Smalltalk <http://planet.smalltalk.org>
 - Google Code <http://code.google.com>
 - SourceForge <http://sourceforge.net>
 - Stack Overflow <http://stackoverflow.com>



VASStGoodies.com - Projects - Mozilla Firefox 3.1 Beta 3

File Edit View History Bookmarks Tools Help

http://vastgoodies.com/projects

VASStGoodies.com

(Beta version)

Your VA Smalltalk OSS repository. Powered by **VASmalltalk** with **SERVIDE**.

Configuration Maps | Applications | Projects | Developers | Search | Statistics | RSS | Disclaimer | About | Help

Hosted Projects

Cloudfork

The goal of Cloudfork is to make it easy to use the various API's related to Cloud Computing. Initially the focus will be on the Amazon AWS services. The first services that are supported are the SimpleDB persistency service, SQS queing service and S3 storage service. For more information, please read our blog at <http://blog.doit.st>

Homepage : <http://cloudfork.googlecode.com>

License : MIT

Blog : <http://doit.st>

Configuration Maps : [Cloudfork](#)

Custom Refactoring and Rewrite Editor Usability

Homepage : <http://customrefactor.sourceforge.net/>

Tags : development refactoring

Configuration Maps : [Mastering ENVY/Developer Refactoring Browser Extensions](#), [Refactoring Browser](#), [Refactoring Browser Model](#), [RefactoryTesting](#)

Event Trigger Support

The application PhilemonEventTriggerSupport adds EventModel to the VA Smalltalk. Features include:

- adds Object>>when: anEventNameSymbol send: aSelectorSymbol to: anObject
- adds Object>>asValue returning a EventValueHolder that sends notifications on value change
- adds EventModel, EventValueHolder and InterfaceAdaptor
- policy based change notification

Ideas are based on the VisualWorks triggerEvent: mechanism.

License : MIT

Blog : <http://philemonworks.wordpress.com>

Discussion : <http://philemonworks.wordpress.com>

Email : ernest.micklei@gmail.com

Done

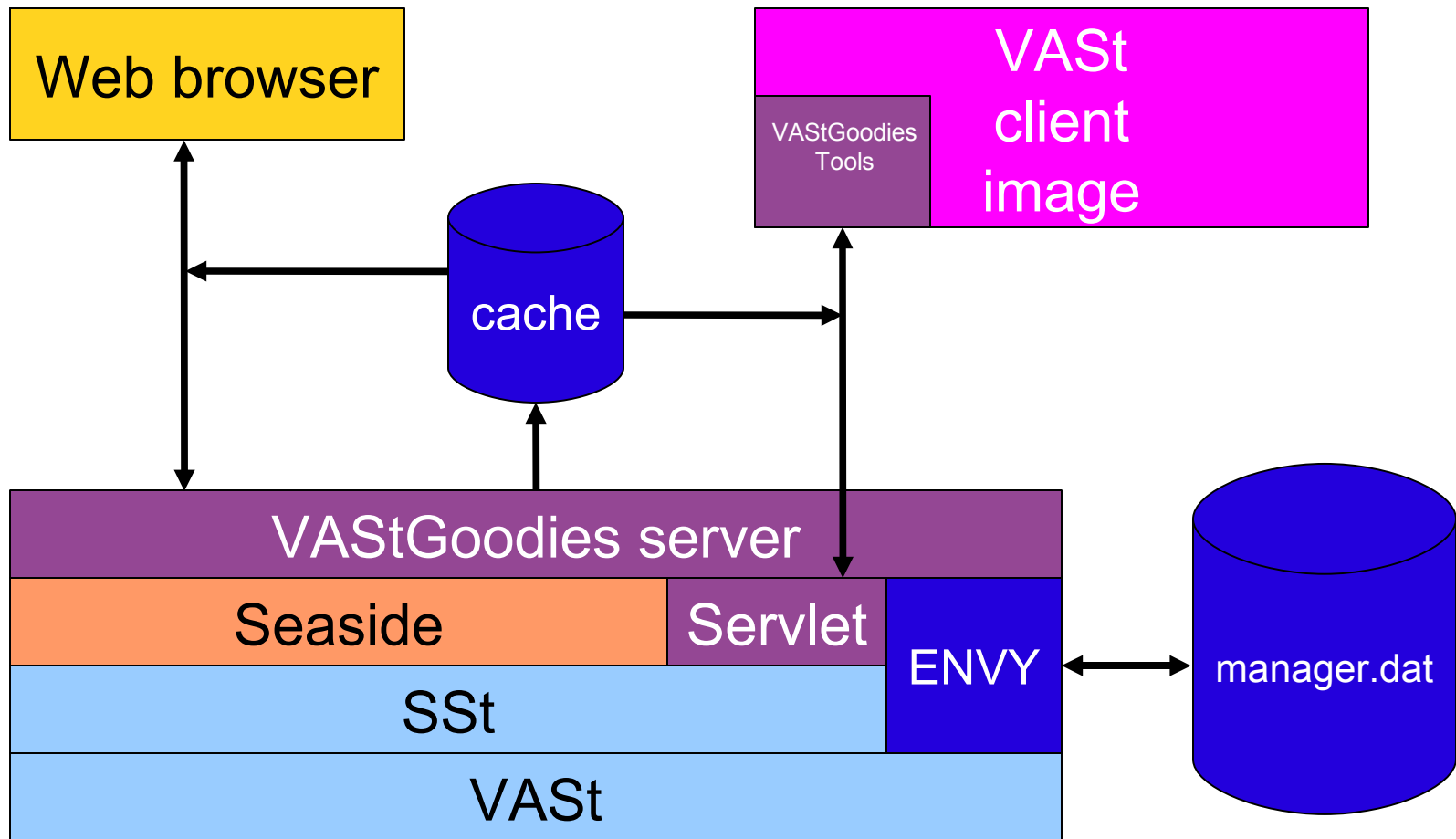


The Philosophy

- Keep things simple
 - Stick to the ENVY model with Configuration Maps and Applications
 - You want to be sure what exact version of the software you are using
 - Stick to the ENVY user model
 - No need for additional user management at VAStGoodies.com



Schematic Overview





The Difficulties

- ENVY
- VASt 8.0 beta 1 / Seaside 2.9 alpha 1



ENVY - The Difficulties

- The ENVY tools are single-user client tools
 - Many (modal) dialogues
 - Importing and exporting is blocking
- Connects to one repository but we don't want all Configuration Maps to be visible / accessible



ENVY - The Solution

- Silence all dialogues
- Serialize all repository access
 - Semaphore
- Some caching, currently just
 - Names of visible Configuration Maps
 - Visible Configuration Map editions
 - Names of projects



ENVY - The Solution (cont'd)

- Downloading
 - Exports are kept
 - Exports are served by the web server



VASSt 8.0 beta 1 – The Difficulties

- No continuations, no flow
- No mime types *(required for uploading using an html form)*
- No RSS
- No wiki component



VASSt 8.0 beta 1 – The Solution

- No continuation-passing style
 - Ugly, tedious code
 - Continuations will come later
- No Scriptaculous, but jQuery
 - jQuery has a nice and clean interface
 - jQuery is the becoming the standard



VASSt 8.0 beta 1 – The Solution (cont'd)

- Additional porting from Squeak
 - jQuery / jQuery UI
(jQuery UI is currently not used at VASStGoodies.com)
 - Mime types
 - RSS
 - TiniWiki



Porting – A Sidestep

- Porting is about two things
 - The VA Smalltalk Porting Layer
 - The Squeak VAPackageExporter



The VA Smalltalk Porting Layer

- Seaside brings all Smalltalk dialects a bit closer
 - Good for Smalltalk
 - Good for open source projects



The Squeak VAPackageExporter

- Part of a Squeak package to export Monticello based Squeak source code to various other Smalltalk dialects.
- The PackageExporter is originally written by Avi Bryant



The Squeak VAPackageExporter (cont'd)

- John O'Keefe made a VA Smalltalk version
- Lukas Renggli and Adriaan van Os made a differences exporter
 - No updates with unchanged code
 - No unnecessary scratch editions
- John O'Keefe did further enhancements



Using PackageInfo-Exporters

■ Exporting

- VAPackageExporter fileOutPackageNamed: aString
- VAPackageExporter
fileOutPackageNamed: aString
deltaFrom: aVersionString

■ Importing

- File In
- EmFileOutInterface fileInSourceFrom
(CfsReadStream open: aFilenameString)



Porting Issues

- What to do with incompatibilities
 - Example: `aNumber asInteger`
 - Squeak truncates
 - VA Smalltalk rounds (ANSI)
 - Possible solution: `aNumber rounded`
- Fix the reference implementation, not the port
 - Discuss with the maintainer
 - Do it yourself



Porting Issues (cont'd)

- Figuring out prerequisites
 - Trial and error
 - Look at the class `WAPackage`
 - Look at the method `VAPackageExporter>>prerequisites`



OSS/Porting Advice

- Use Slime
 - A Smallint extension
 - Keeps track of non-portable classes
 - Should keep track of non-portable methods?
- Relate to the version id of the reference implementation



Annotations

- Meta data of your project
 - License information
 - URLs to help to building a community around your project
 - Some additional information used to populate pages at VAStGoodies.com



The VASStGoodies.com Tools

- Built by Ernest Micklei
- A web service and client
 - Makes using VASStGoodies.com a breeze
 - Annotation Editor (forcing to enter license information)
 - Importing and exporting directly from the image
 - Made form uploading obsolete

Edit Annotations for VAStGoodies.com Tools - Av0.14

VAStGoodies.com

Developer **Project**

VAStGoodies.com Tools - Av0.14

blogUrl	http://philemonworks.wordpress.com
discussionUrl	http://www.instantiations.com/forum/viewforum.php?f=
emailAddress	ernest.micklei@gmail.com
licenceType	MIT
licenceUrl	http://en.wikipedia.org/wiki/MIT_License
project	VAStGoodies
projectUrl	http://vastgoodies.com
tags	repository,development

Description Wiki syntax is allowed here

This map provides you with tools to upload and download/import VisualAge for Si

(c) Ernest Micklei, February 2009

Ok Cancel



Licensing – A Sidestep

- Be clear, or companies can't use it
- Choose one, or companies can't use it
- Keep it simple, choose MIT



The Future

- Support for applications (likely)
- Code browsing
- Individual project pages
- Individual developer pages
- Tag cloud
- Searching
- Enhanced statistics



Thanks

- John O'Keefe of / and Instantiations
 - for backing VAStGoodies.com
- Lukas Renggli
 - for helping ease porting
- Ernest Micklei
 - for helping building VAStGoodies.com and creating the client
- Yuri Vrancken
 - for helping with the statistics charts
- Louis Andriese of Nationaal Spaarfonds
 - for offering free hosting of VAStGoodies.com

Q & A

- Thanks for watching
- Mail [a3aan @ xs4all . nl](mailto:a3aan@xs4all.nl)
- Web <http://vastgoodies.com>
- Blog <http://a3aan.st/sunrise>